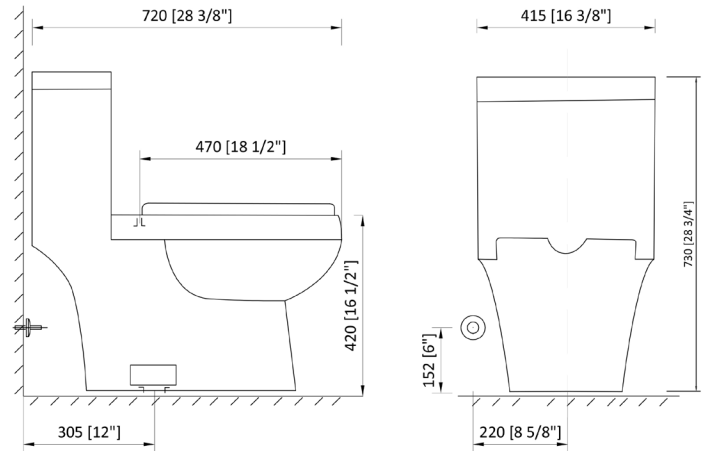


ABRA

NBMU-6712 ADA



FEATURES

- Vitreous china
- Seamless one-piece design
- 2" fully glazed trap-way
- 12"/305mm rough-in
- Siphonic – Side Flush
- 1.28 GPF / 4.8L / HET
- ADA compliant seat height

SUPPLIED COMPONENTS

- Seat w/lid (soft-close)
- Tank cover
- Flush actuator
- Wax ring
- Floor installation kit

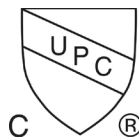
NOMINAL DIMENSIONS

720 x 415 x 730mm
(28-3/8" x 16-3/8" x 28-3/4")

CODES AND STANDARDS

Meets or exceeds:

- ASME A112.19.2 /CSA B45.1
- ASME A112.19.14
- ADA requirements of ICC/ANSI A117.1-2009
Accessible and Usable Buildings and Facilities.



USA/CANADA: www.nellabath.com